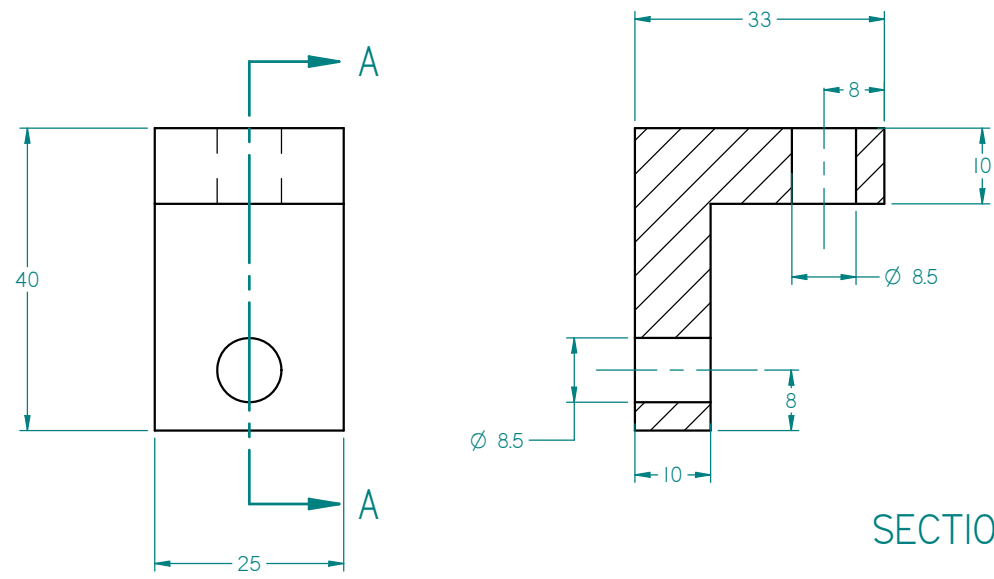
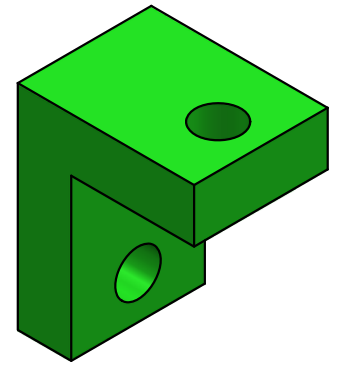
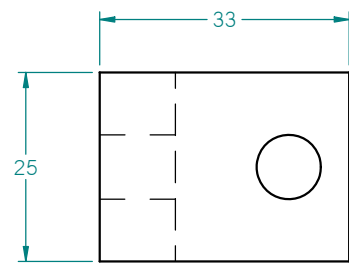


REV	DESCRIPTION	DWN	CHKR	APVD	DATE
-----	-------------	-----	------	------	------



SECTION A-A



NEXT ASSEMBLIES:	DIMENSIONING AND TOLERANCING IS IAW ASME Y14.5M-1994 AND Y14.41-2003	SCALE: DO NOT SCALE DRAWING	CAD FILE NAME:		
	UNLESS OTHERWISE SPECIFIED DIMENSIONS ARE IN INCHES. TOLERANCES: BREAK EDGES .005-.015 INTERNAL CORNERS R.015 MAX FRACTIONS ± DEC .XX± .XXX± .XXXX± ANGLE ±		APEX Target		
	ALL SURF ✓	<small>THE DRAWINGS, SPECIFICATIONS AND OTHER DATA HEREIN PROVIDED SHALL NOT BE COPIED, PUBLISHED OR OTHERWISE FURTHER DISSEMINATED WITHOUT PRIOR WRITTEN PERMISSION OF STANFORD UNIVERSITY/SLAC</small>	DRAWING NUMBER	REVISION NUMBER	C
		<small>ENGR _____ DATE _____ APPROVALS _____</small> <small>DWN _____</small> <small>CHKR _____</small>	APX0008		