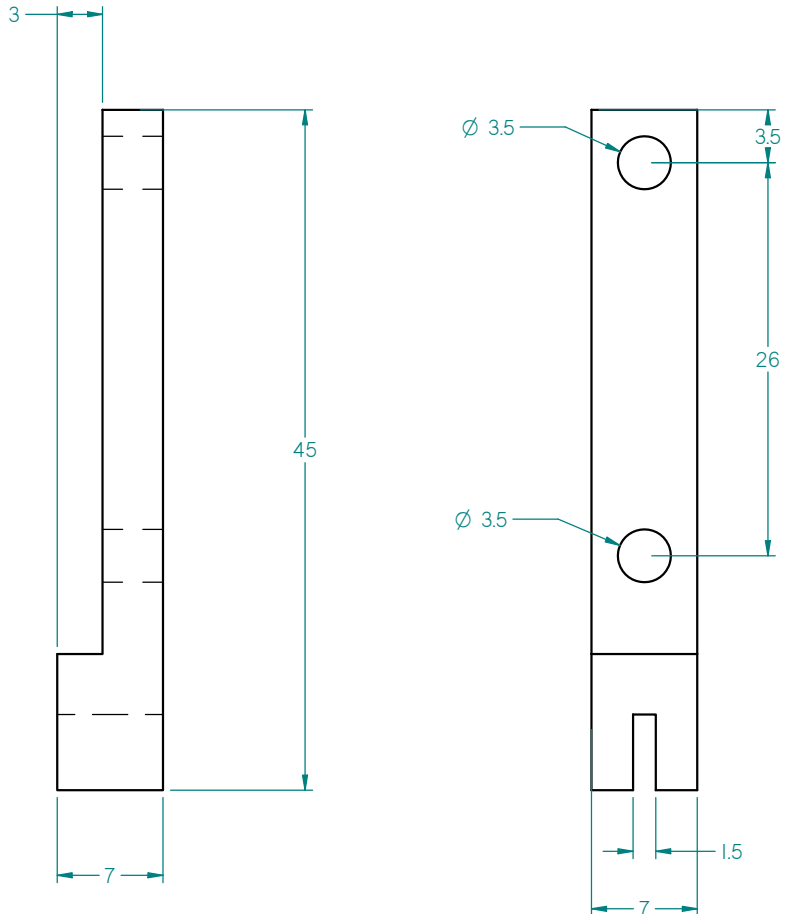


REV	DESCRIPTION	DWN	CHKR	APVD	DATE
-----	-------------	-----	------	------	------



NEXT ASSEMBLIES:	DIMENSIONING AND TOLERANCING IS IAW ASME Y14.5M-1994 AND Y14.41-2003	SCALE: DO NOT SCALE DRAWING	CAD FILE NAME:
	UNLESS OTHERWISE SPECIFIED DIMENSIONS ARE IN INCHES.	<b>SLAC</b> <b>U.S. DEPARTMENT OF ENERGY</b> NATIONAL ACCELERATOR LABORATORY	APEX Target Elastic Clamp
	TOLERANCES: BREAK EDGES .005-.015	THE DRAWINGS, SPECIFICATIONS AND OTHER DATA HEREIN PROVIDED SHALL NOT BE COPIED, PUBLISHED OR OTHERWISE FURTHER DISSEMINATED WITHOUT PRIOR WRITTEN PERMISSION OF STANFORD UNIVERSITY/SLAC	
	INTERNAL CORNERS R.015 MAX FRACTIONS $\pm$ DEC .XX $\pm$ .XXX $\pm$ .XXXX $\pm$ ANGLE $\pm$	DATE APPROVALS ENGR _____ DWN _____ CHKR _____	DRAWING NUMBER APX0003